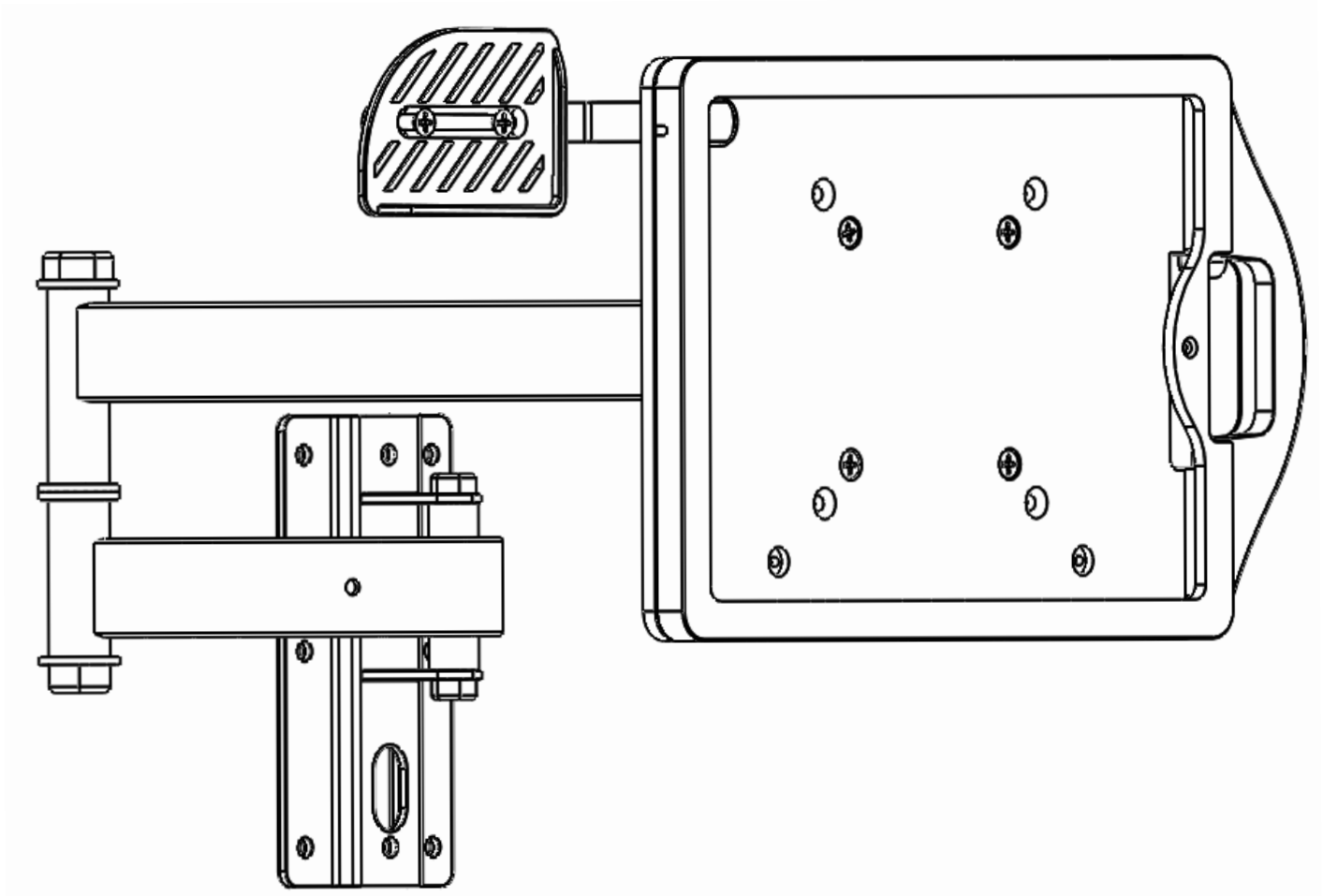


Wall Mount Arm Bundle

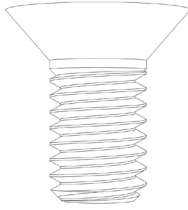
Assembly Instructions

ECW-WIP9/IP12-BLK/WHT



Parts Included

10-32x1/2
Flat Head



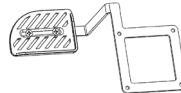
(4)

10-32x3/8
Flat Head



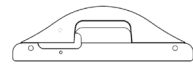
(6)

Docuvue



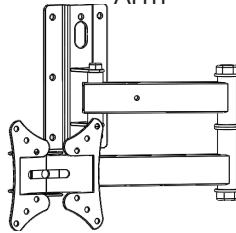
(1)

IMGPII Bracket



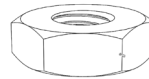
(1)

Wall Mount
Arm



(1)

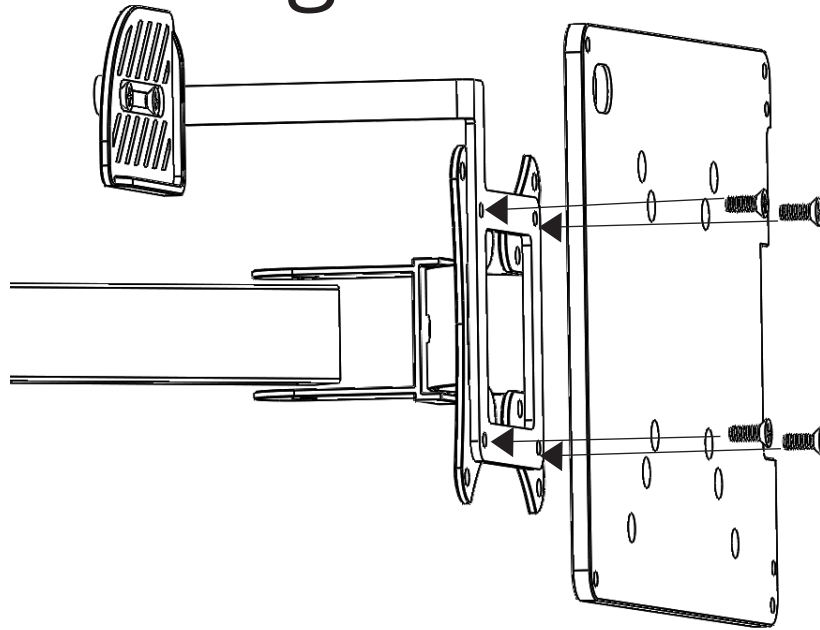
10-32 Nuts



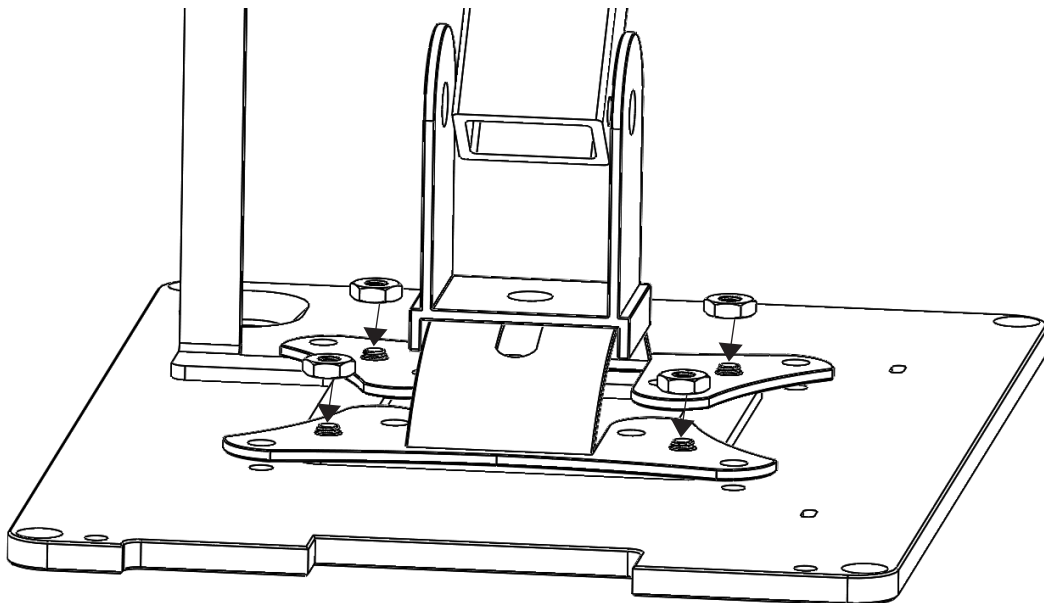
(4)

*iMag Pro II Card Reader and iPad Tablet
not included in bundle

- ① Attach backplate and docuvue to mounting bracket



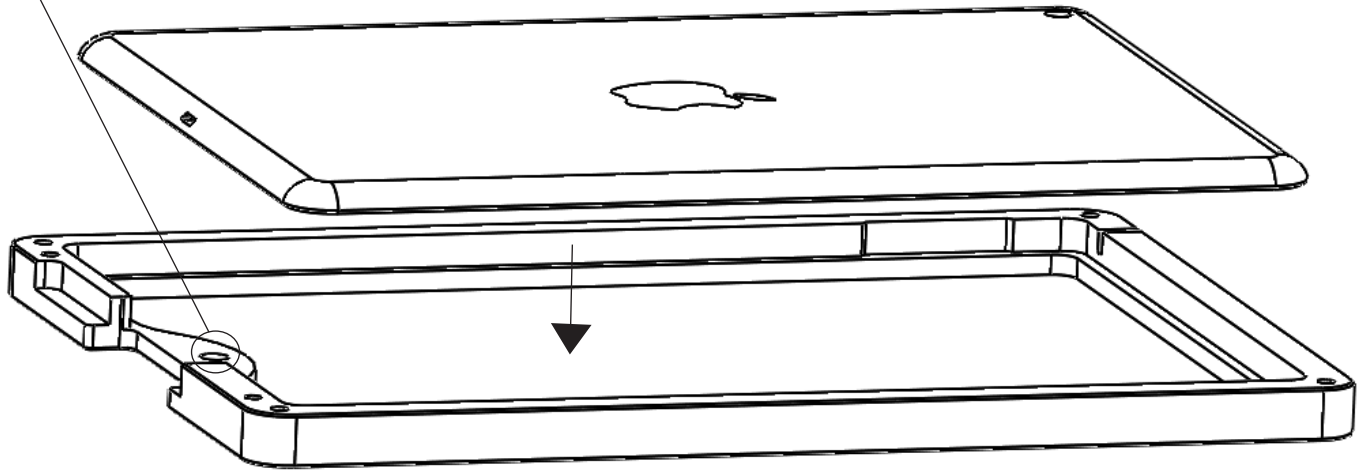
- ② Lay assembly down flat and thread on the 4 included nuts



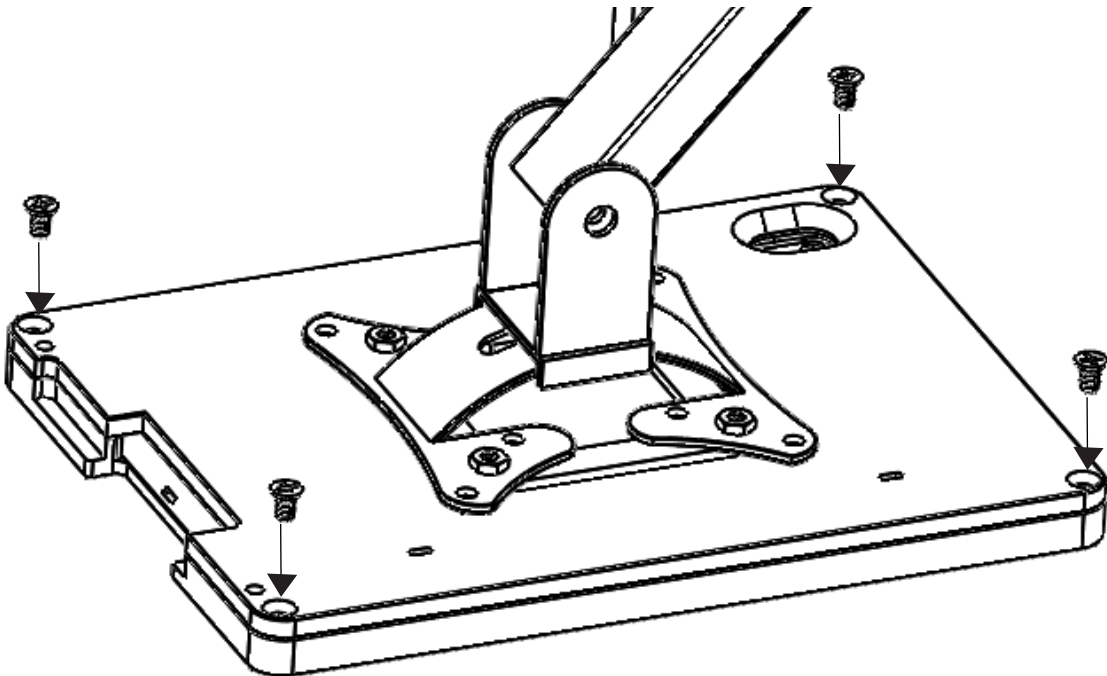
③ Lay tablet down into faceplate

*Note the orientation of the charging port to the faceplate. The charging port should be on the same side as the whole for the home button

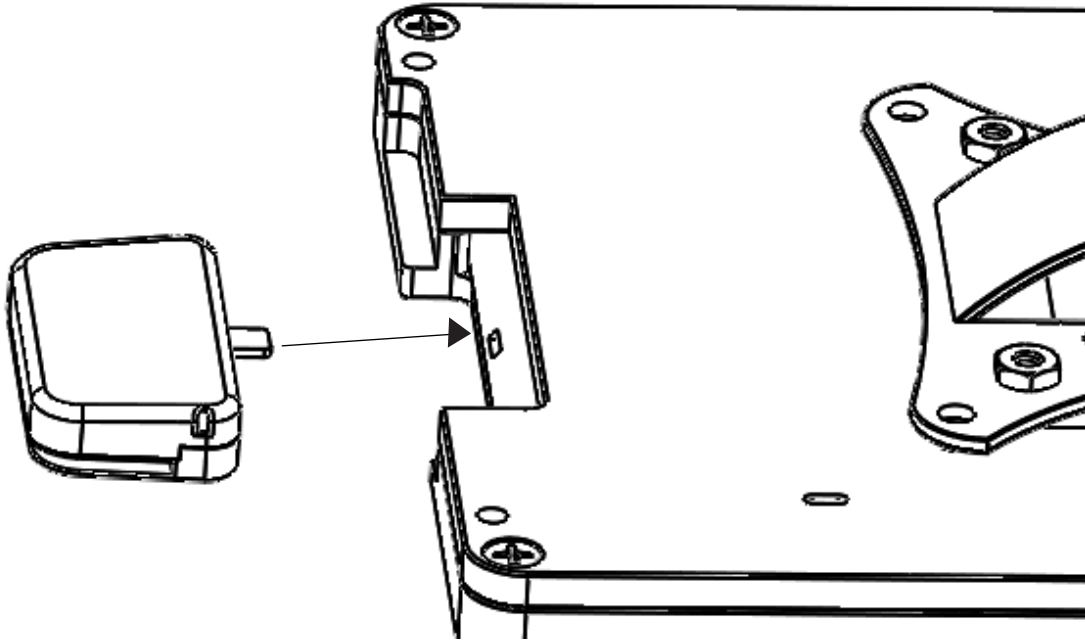
Home button hole



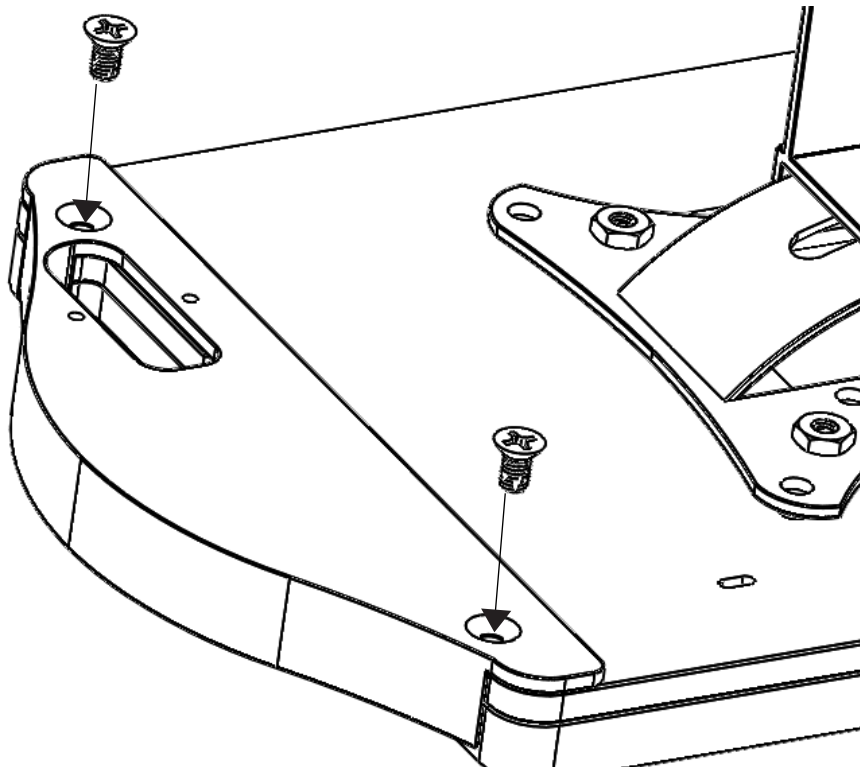
④ Screw the enclosure together



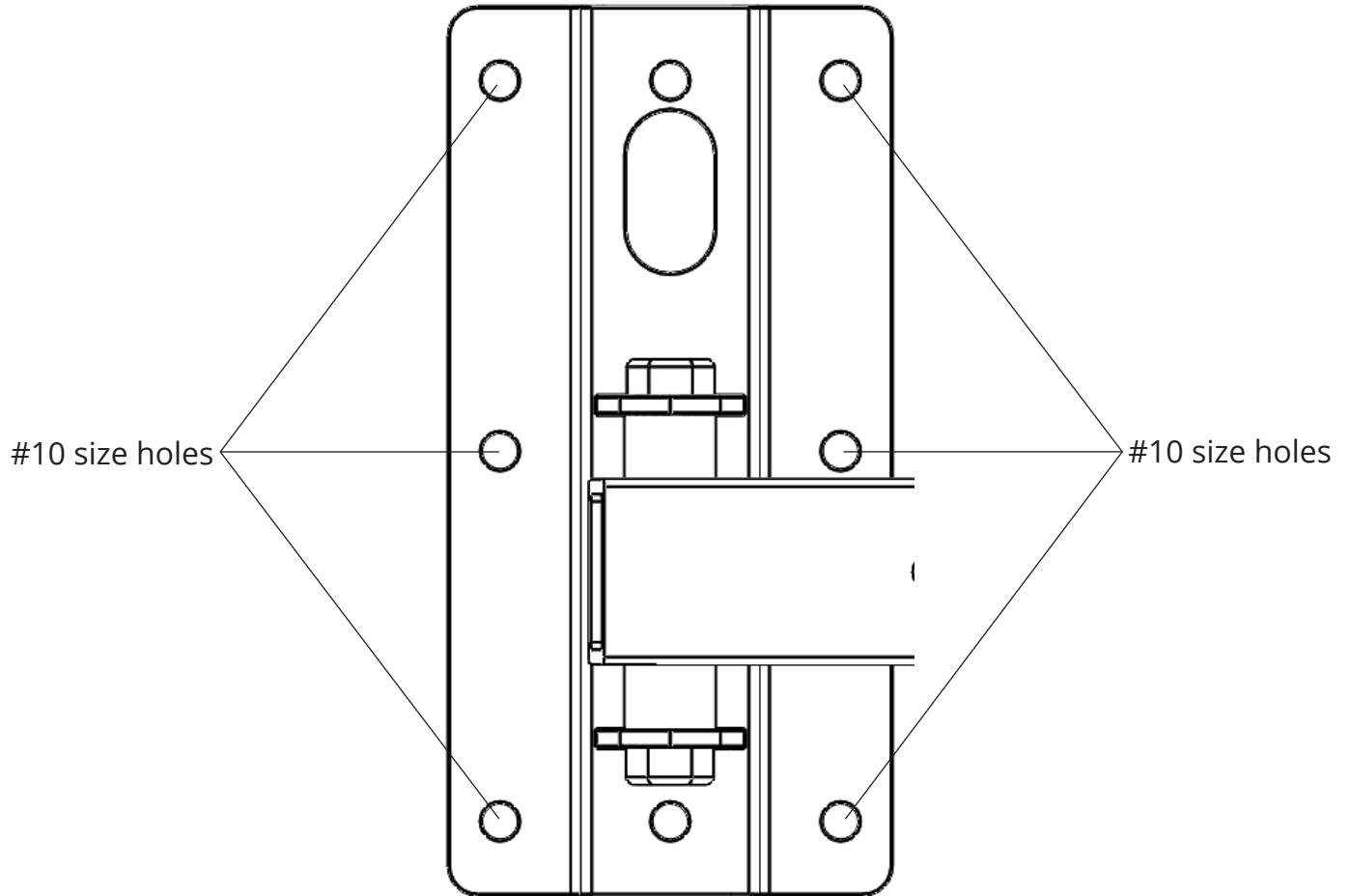
⑤ Plug ID TECH iMag Pro II card reader into tablet



⑥ Install the ID TECH iMag Pro II bracket



Mounting to the wall



Mounting hardware is not included in your package. The screw size for mounting holes is a #10 screw size. Please research your office's wall type before attempting to install.

Warranty

This product comes with VAULT's Lifetime Warranty. All items are covered under this warranty with the following exceptions.

- Damage caused from misuse, abuse, neglect, acts of God.
- Lost parts or surface scratches from use or other actions.
- Stripped or broken screws, warped parts from misuse or improper installation.

All warranty claims should be submitted through the company that you originally purchased the product from. A receipt or other documentation showing date and location purchased will be required. Shipping to VAULT and return shipping to the end user are the responsibility of the end user. VAULT reserves the right to substitute a newer product or one of equal or higher value. If you should have any questions concerning this policy or other items, please contact VAULT at the address contained in this document.